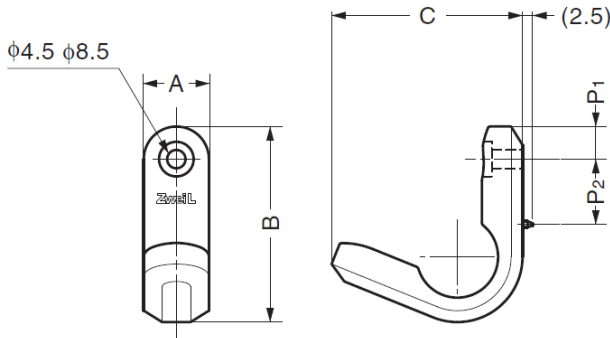


ZL-2104 Stainless Steel Hook

Features

- Superior "Zwei L Finish" - *Zwei L* represents the very pinnacle of ultra-premium Japanese hardware design. The contrasting bands of mirror finish and lustrous satin on a faceted profile give a jewel like finish that highlights and enhances any industrial design



Parts Included

- Countersunk head wood screw 4.1 x 32 (SUS)
- Plug
- Pin

Part No.	Material	Finish	A	B	C	P ₁	P ₂	Load Capacity	
ZL-2104-10	Stainless Steel 316	Zwei L	10	29	29	5	7	160 N	16.3 kg
ZL-2104-16		Finish	16	47	47	8	10	475 N	48.4 kg

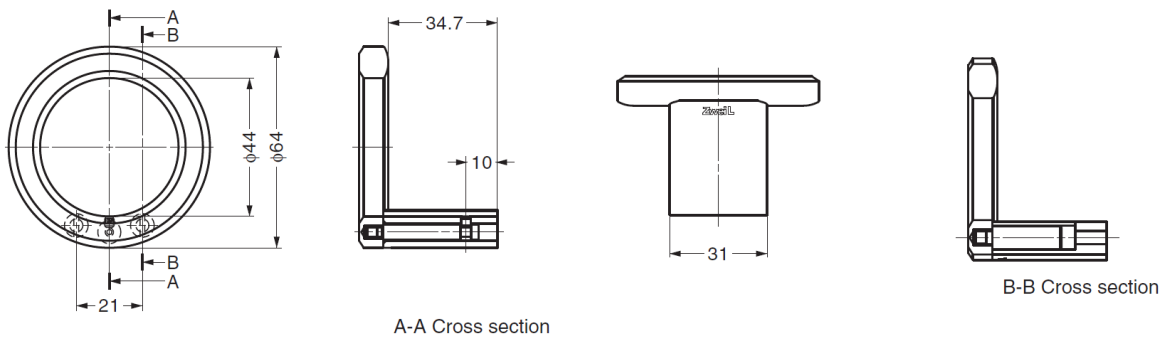
ZL-2105 Stainless Steel Hook

Features

- Superior "Zwei L Finish" - *Zwei L* represents the very pinnacle of ultra-premium Japanese hardware design. The contrasting bands of mirror finish and lustrous satin on a faceted profile give a jewel like finish that highlights and enhances any industrial design

Parts Included

- Pan head tapping screw 4x50 (SUS)
- Anchor plug (for wood screw 4.1 ø6 mm hole)
- Hex key



Part No.	Material	Finish	Load Capacity	
ZL-2105	Stainless Steel 316	Zwei L Finish	150 N	15.3 kg